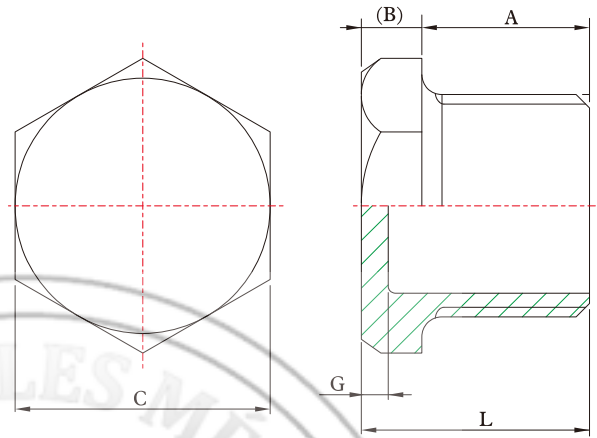


HEX HEAD PLUGS



DESIGN FEATURES:

- ☛ THREAD: NPT
- ☛ CF8 (304) & CF8M (316)
- ☛ MEET MSS-SP114



INOXMEX

TEL. (55)5369-1902

(55)5367-5890

DIMENSIONS

UNIT : inch

SIZE	A	B	C	G	L
1/8"	0.37	0.14	0.55	-----	0.51
1/4"	0.44	0.14	0.67	-----	0.58
3/8"	0.48	0.16	0.83	-----	0.64
1/2"	0.56	0.19	1.02	0.16	0.76
3/4"	0.63	0.22	1.20	0.18	0.85
1"	0.75	0.25	1.43	0.20	1.00
1-1/4"	0.80	0.28	1.76	0.22	1.09
1-1/2"	0.83	0.31	2.00	0.24	1.14
2"	0.88	0.34	2.48	0.26	1.22
2-1/2"	1.07	0.37	2.98	0.29	1.44
3"	1.13	0.40	3.86	0.31	1.53
4"	1.22	0.50	4.63	0.38	1.72

