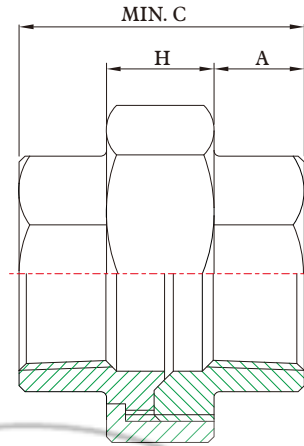
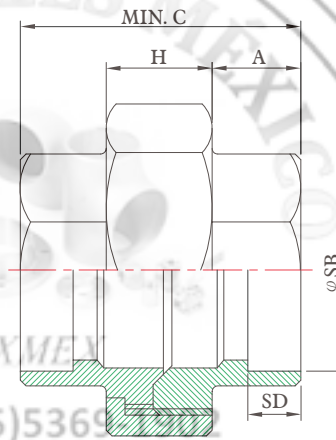
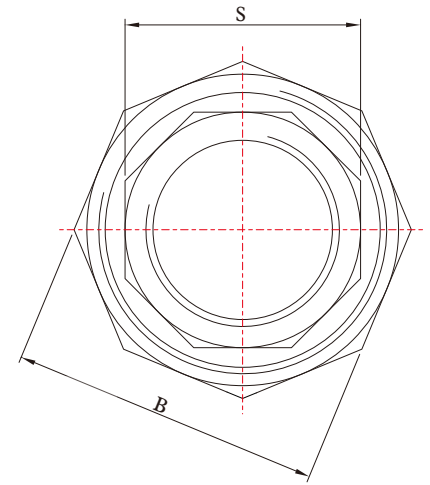


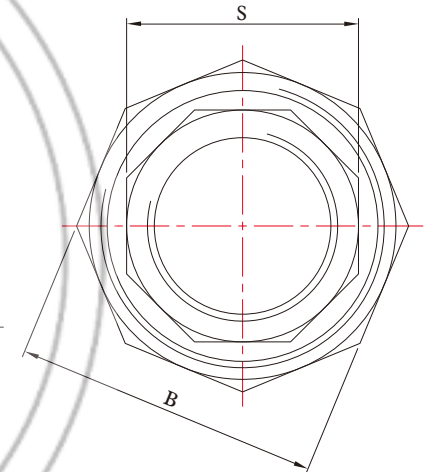
## UNIONS F/F



Thread End



Socket-Weld End



### DESIGN FEATURES:

- THREAD: NPT
- CF8 (304) & CF8M (316)
- MEET MSS-SP114

### DIMENSIONS

UNIT : inch

SIZE	A	B	C	H	S	SB	SD
1/8"	0.34	1.14	1.26	0.59	0.71	0.43	0.39
1/4"	0.43	1.14	1.44	0.59	0.71	0.56	0.39
3/8"	0.52	1.42	1.61	0.59	0.89	0.69	0.39
1/2"	0.57	1.61	1.72	0.59	1.06	0.85	0.39
3/4"	0.67	1.93	1.94	0.61	1.26	1.07	0.51
1"	0.68	2.28	2.06	0.71	1.59	1.33	0.51
1-1/4"	0.72	2.67	2.26	0.84	1.97	1.68	0.51
1-1/2"	0.78	3.02	2.41	0.87	2.20	1.92	0.51
2"	0.89	3.60	2.75	0.98	2.72	2.41	0.63
2-1/2"	1.11	4.29	3.22	0.98	3.36	2.91	0.63
3"	1.18	4.92	3.50	1.15	3.94	3.54	0.63
4"	1.26	6.14	3.85	1.35	5.00	4.55	0.75