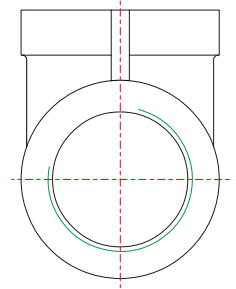
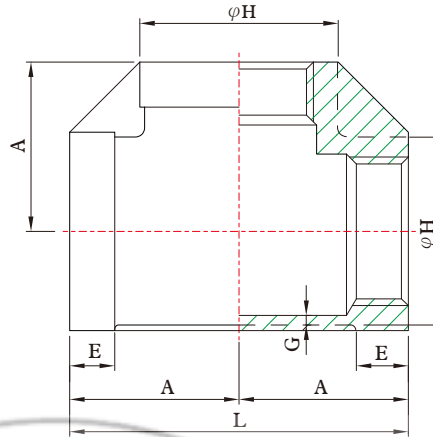
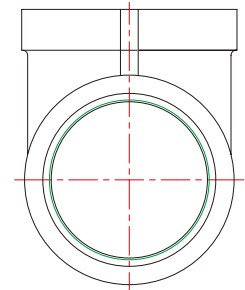
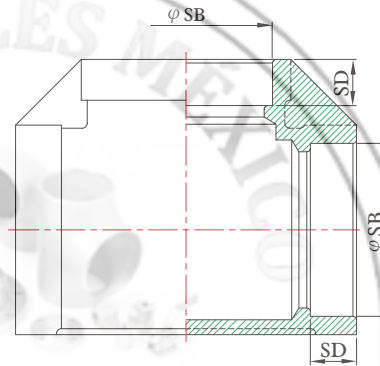


TEES BANDED EQUAL



Thread End



Socket-Weld End

DESIGN FEATURES:

- THREAD: NPT
- CF8 (304) & CF8M (316)
- MEET MSS-SP114

INOX MEX
TEL. (55)5369-1902

(55)5367-5890

DIMENSIONS

UNIT : inch

SIZE	A	E	G	H	L	SB	SD
1/8"	0.81	0.20	0.09	0.75	1.62	0.43	0.39
1/4"	0.81	0.20	0.09	0.84	1.62	0.56	0.39
3/8"	0.93	0.21	0.10	1.01	1.86	0.69	0.39
1/2"	1.12	0.25	0.10	1.20	2.24	0.85	0.39
3/4"	1.31	0.27	0.12	1.46	2.62	1.07	0.51
1"	1.50	0.30	0.13	1.77	3.00	1.33	0.51
1-1/4"	1.75	0.34	0.14	2.15	3.50	1.68	0.51
1-1/2"	1.93	0.37	0.15	2.43	3.86	1.92	0.51
2"	2.25	0.42	0.17	2.96	4.50	2.41	0.63
2-1/2"	2.68	0.48	0.21	3.31	5.36	2.91	0.63
3"	3.06	0.55	0.23	4.00	6.12	3.54	0.63
4"	3.81	0.66	0.26	5.06	7.62	4.55	0.75

